



FilterFuge
Extreme Filtration

Oil Cleaning Centrifuges

MODEL 200

Removes Particles as small as 1/10th micron
No Filter Elements to buy, change and dispose of

Engine lubrication capacity; 10 - 45 usg (40-170 ltrs)



Rotor dirt capacity 2 quarts

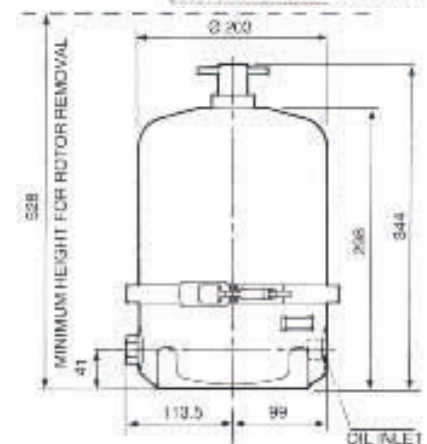
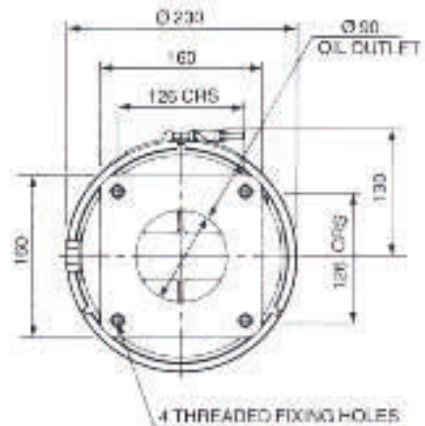
Minimum oil feed pipe size 0.5" id (12 mm)

Minimum oil drain pipe size 2.0" id (50 mm)

Net weight 21 lbs (9.5kg)

Flow rate 4 usg/min @ 70 psi (15 ltrs/@ 4 bar)

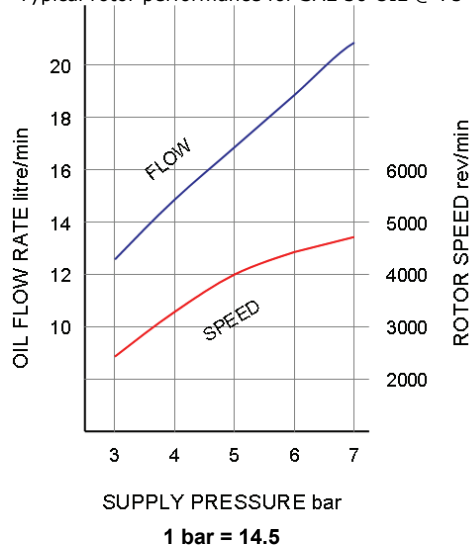
Cut Out Valve (COV) installed - oil pressure to exceed COV setting to operate.



All measurements in mm 7/8" - UNF Straight Thread

PERFORMANCE CURVES

Typical rotor performance for SAE 30 OIL @ 75°C



Industrial Diesel Products Inc. - Toronto, ON, Canada

Tel: 905-362-0423 · sales@dieselproducts.com Fax: 905-362-5015