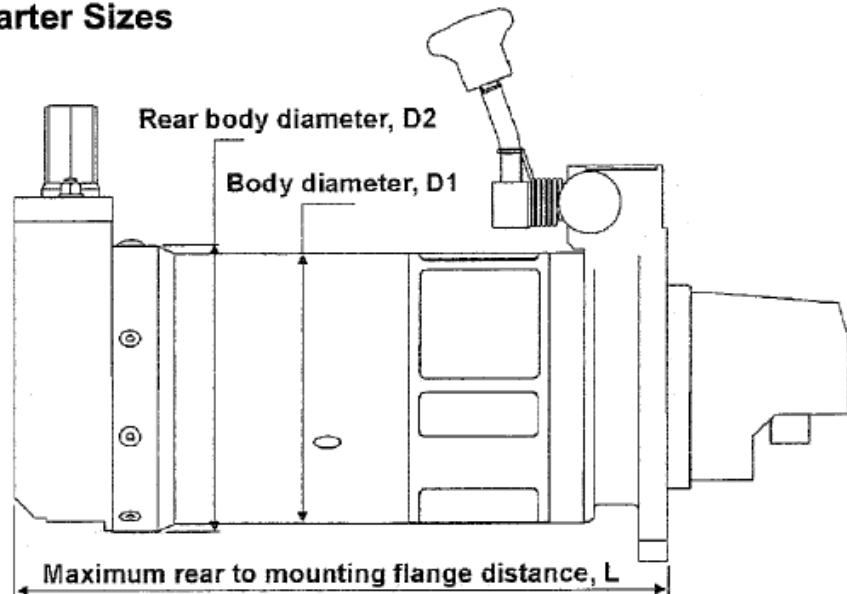


SpringStarter - Specifications

Appendix I: Starter Sizes



	L (mm)	D1 (mm)	D2 (mm)
MINI	259	110	114
MIDI	285	115	118
HEAVY DUTY	285	115	127
MAXI	329	117	130
SUPER MAXI	346	133	140.5

Appendix II: Starter Specifications

Range		MINI	MIDI	HEAVY DUTY	MAXI	SUPER MAXI
Model	Clock	SNC	SDC	SDCH	SXC	SSXC
	A/Clock	SNA	SDA	SDAH	SXA	SSXC
Mounting Flange		SAE 1 SAE 4	SAE 1, SAE 2, SAE 3,	SAE 1, SAE 2, SAE 3,	SAE 1, SAE 2, SAE 3	SAE 1, SAE 2, SAE 3
Capacity	Litre / cylinder	0.5	1.1	1.3	1.5	2 (1.5)
	Max no. cylinders	4	6	6	6	6 (8)
Max Torque	Pinion (Nm)	91	115	126	126	147
	Winding (Nm)	60	64	81	81	94
Weight	(Kg)	12	16	18	20	25
Turns to fully wind		7.5	10	10	13.5	16