

TITAN Heaters

Reliable Heating Solutions

Fuel Filter Heater

Prevent Cold Start Jelling

Flexible heating pad for installation on numerous sizes of fuel filters.

Filter Applications

Lube Oil
Diesel Fuel
Bio Diesel - WVO
Hydraulic Oil
Hydraulic Rams
Hydraulic Pumps



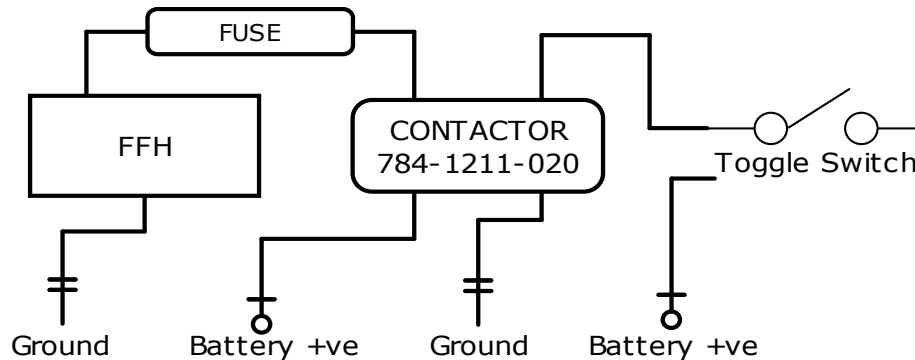
Models

THF50-12; 50 watts, 12VDC
THF100-12; 100 watts 12VDC
THF100-24: 100 watts 24VDC

Ease of Installation

Fuel Filter Heater wraps around the filter housing and is secured with adjustable Velcro straps.

How to Install



Pad size - 12" x 4"

Heating area - 8.75" x 4"

Lead wire (2) - 18"

Filter Housing Diameter; Min 3.5" - Max 5"

50 watts, 4 amps DC / 100 watts, 8 amps DC

INDUSTRIAL DIESEL PRODUCTS INC.

Worldwide Procurement Solutions

sales@dieselproducts.com

Tel:+1 905-362-0423

